

RESSAC Project Draft

---

# **Micro UAV (muXAV)**

*Manned/Unmanned Air Vehicle*

**Summary:**

This is the preliminary Functional Architecture for muXAV use case of RESSAC project showing the Mission Management System (MMS) generated using SCADE Architect, a SysML tool.

**Company:** Copyright ANSYS 2017

**Authors:** Mathieu Viala - Sylvan Dissoubray

**Reference:** N/A

**Index:** <index>

**Date:** 2017-12-08

---

**Distribution List:** RESSAC Team

# Table Of Contents

<b>1.</b>	<b>General Project Description</b>	<b>5</b>
<b>2.</b>	<b>System Architecture</b>	<b>6</b>
2.1.	Project Architecture	6
<b>3.</b>	<b>muXAV_v3 Project</b>	<b>7</b>
3.1.	Root Elements	7
3.2.	muXAV_v3::muXAV-Types::Types Package	7
3.2.1.	<i>Types</i>	7
3.2.2.	<i>Type Table_Types_1 Type</i>	9
3.3.	muXAV_v3::OrganicFunctionsArchitecture Package	10
3.3.1.	<i>Air_Vehicle Block</i>	10
3.3.2.	<i>Ground_Station Block</i>	10
3.3.3.	<i>OF_CM_Comm_MMS Block</i>	10
3.3.4.	<i>OF_EL Block</i>	15
3.3.5.	<i>OF_EM_EnergyViability Block</i>	16
3.3.6.	<i>OF_FC_FlightControl Block</i>	16
3.3.7.	<i>OF_MM_MissionManagement Block</i>	19
3.3.8.	<i>OF_MMS_SW Block</i>	23
3.3.9.	<i>OF_muXAV Block</i>	28
3.3.10.	<i>OF_PT Block</i>	28
3.3.11.	<i>OrganicFunctions Block</i>	33
3.4.	muXAV_v3::PhysicalSystemsArchitecture Package	34
3.4.1.	<i>PhysicalSystems Block</i>	34
3.4.2.	<i>S_MMS Block</i>	35

# List Of Figures

<b>Figure 1: Internal Block Diagram - OF_MissionManagementSystem_Diagram .....</b>	<b>27</b>
<b>Figure 2: Internal Block Diagram - OF_muXAV_Diagram .....</b>	<b>28</b>
<b>Figure 3: Internal Block Diagram - OF_PayloadTransport_Diagram .....</b>	<b>33</b>
<b>Figure 4: Internal Block Diagram - OrganicFunctions_Diagram.....</b>	<b>33</b>
<b>Figure 5: Internal Block Diagram - Communication_System .....</b>	<b>34</b>
<b>Figure 6: Internal Block Diagram - Electrical_Propulsion_System.....</b>	<b>34</b>
<b>Figure 7: Internal Block Diagram - Hydraulic_Braking_System.....</b>	<b>35</b>
<b>Figure 8: Internal Block Diagram - MMS_System_Diagram .....</b>	<b>35</b>

# List Of Tables

<b>Table 1: Literals of te_BaySwitch .....</b>	<b>7</b>
<b>Table 2: Literals of te_MissionStatus.....</b>	<b>7</b>
<b>Table 3: Literals of te_NavControlMode.....</b>	<b>8</b>
<b>Table 4: Literals of te_NavRegulOption .....</b>	<b>8</b>
<b>Table 5: Fields of ts_NavParameters .....</b>	<b>8</b>
<b>Table 6: Typedefs of Types.....</b>	<b>9</b>
<b>Table 7: Types Type: Type Table_Types_1.....</b>	<b>9</b>
<b>Table 8: Air_Vehicle DataSourceTarget: OF_Air_Vehicle_Data .....</b>	<b>10</b>
<b>Table 9: Ground_Station DataSourceTarget: OF_Ground_Station_Data</b>	<b>10</b>
<b>Table 10: OF_CM_Comm_MMS Ports-with-Data: I/O</b>	
<b>Table_F_CM_Comm_MMS_1 .....</b>	<b>10</b>
<b>Table 11: OF_EL DataSourceTarget: DataSourceTarget_F_EL_1.....</b>	<b>15</b>
<b>Table 12: OF_EL Ports-with-Data: I/O Table_F_EL_1.....</b>	<b>15</b>
<b>Table 13: OF_EM_EnergyViability DataSourceTarget: Data</b>	
<b>Table_F_EM_EnergyViability_1 .....</b>	<b>16</b>
<b>Table 14: OF_EM_EnergyViability Ports-with-Data: I/O</b>	
<b>Table_F_EM_EnergyViability_1 .....</b>	<b>16</b>
<b>Table 15: OF_FC_FlightControl DataSourceTarget: Data</b>	
<b>Table_F_FC_FlightControl_1 .....</b>	<b>16</b>
<b>Table 16: OF_FC_FlightControl Ports-with-Data: I/O</b>	
<b>Table_F_FC_FlightControl_1 .....</b>	<b>17</b>
<b>Table 17: OF_MM_MissionManagement DataSourceTarget: Data</b>	
<b>Table_F_MM_MissionManagement_1 .....</b>	<b>19</b>
<b>Table 18: OF_MM_MissionManagement Ports-with-Data: I/O</b>	
<b>Table_F_MM_MissionManagement_1 .....</b>	<b>20</b>
<b>Table 19: OF_MMS_SW DataSourceTarget:</b>	
<b>OF_MissionManagementSystem_Data .....</b>	<b>23</b>
<b>Table 20: OF_MMS_SW Ports-with-Data:</b>	
<b>OF_MissionManagementSystem_Interface.....</b>	<b>24</b>
<b>Table 21: OF_PT DataSourceTarget: OF_PayloadTransport_Data .....</b>	<b>28</b>
<b>Table 22: OF_PT Ports-with-Data: OF_PayloadTransport_Interface.....</b>	<b>30</b>

# 1. General Project Description

This is the preliminary Functional Architecture for muXAV use case of RESSAC project showing the Mission Management System (MMS) generated using SCADE Architect, a SysML tool.

## 2. System Architecture

### 2.1. Project Architecture

This section displays the package and block hierarchy of projects.

Project [muXAV\\_v3](#)

- FunctionalArchitecture

- Mapping Functions on Organic Architecture

- muXAV-Types

  - [Types](#)

- [OrganicFunctionsArchitecture](#)

  - OrganicFunctions

- [PhysicalSystemsArchitecture](#)

  - PhysicalSystems

## 3. muXAV\_v3 Project

Declared as **public model**

### 3.1. Root Elements

### 3.2. muXAV\_v3::muXAV-Types::Types Package

#### 3.2.1. Types

##### 3.2.1.1. Enumerations

###### 3.2.1.1.1. te\_BaySwitch Enumeration

Declared as **public enumeration**

###### 3.2.1.1.1.1. Literals

**Table 1: Literals of te\_BaySwitch**

Name	Visibility	Comments and Information
OPEN	public	
CLOSED	public	

###### 3.2.1.1.2. te\_MissionStatus Enumeration

Declared as **public enumeration**

###### 3.2.1.1.2.1. Literals

**Table 2: Literals of te\_MissionStatus**

Name	Visibility	Comments and Information
MissionCOMPLETE	public	<b>Comments:</b> Mission is Complete when AV is on the ground with 0 speed
MissionCANCELLED	public	<b>Comments:</b> Mission is Cancelled when...
MissionABORTED	public	<b>Comments:</b> Mission is Aborted when ...

###### 3.2.1.1.3. te\_NavControlMode Enumeration

Declared as **public enumeration**

### 3.2.1.1.3.1. Literals

**Table 3: Literals of te\_NavControlMode**

Name	Visibility	Comments and Information
REMOTE_PILOT	public	<b>Comments:</b> Remotely Piloted
AUTONOMOUS	public	<b>Comments:</b> Autonomous

### 3.2.1.1.4. te\_NavRegulOption Enumeration

Declared as **public enumeration**

#### 3.2.1.1.4.1. Literals

**Table 4: Literals of te\_NavRegulOption**

Name	Visibility	Comments and Information
SPEED_REGUL	public	
ALTITUDE_REGUL	public	
ENERGY_REGUL	public	<b>Comments:</b> Energy regulation is an automatic choice between speed or altitude regulation

### 3.2.1.2. Structured DataTypes

#### 3.2.1.2.1. ts\_NavParameters Structured DataType

Declared as **public structured datatype**

#### **ts\_NavParameters Comments:**

- Only one of Speed or Altitude drives navigation, according t...

#### 3.2.1.2.1.1. Fields

**Table 5: Fields of ts\_NavParameters**

Name	Visibility	Type	Mult.	Properties	Comments and Information
Distance	public	Dimensions-and-Units::Types::t_Length	1		
Speed	public	Dimensions-and-Units::Types::t_Velocity	1		
Altitude	public	Dimensions-and-Units::Types::t_Length	1		



### 3.2.1.3. Typedefs

**Table 6: Typedefs of Types**

Name	Visibility	Type	Comments and Information
t_Event	public	libscade::bool	<b>Comments:</b> An alias for a boolean (transient)
t_Switch	public	libscade::bool	<b>Comments:</b> An alias for a boolean (persistent)

### 3.2.2. Type Table\_Types\_1 Type

**Table 7: Types Type: Type Table\_Types\_1**

	Field Type	Comment
ts_NavParameters		Only one of Speed or Altitude drives navigation, according t...
Distance	t_Length	
Speed	t_Velocity	
Altitude	t_Length	
te_NavControlMode		
REMOTE_PILOT	te_NavControlMode	Remotely Piloted
AUTONOMOUS	te_NavControlMode	Autonomous
te_NavRegulOption		
SPEED_REGUL	te_NavRegulOption	
ALTITUDE_REGUL	te_NavRegulOption	
ENERGY_REGUL	te_NavRegulOption	Energy regulation is an automatic choice between speed or al...
te_BaySwitch		
OPEN	te_BaySwitch	
CLOSED	te_BaySwitch	
te_MissionStatus		
MissionCOMPLETE	te_MissionStatus	Mission is Complete when AV is on the ground with 0 speed
MissionCANCELLED	te_MissionStatus	Mission is Cancelled when...
MissionABORTED	te_MissionStatus	Mission is Aborted when ...
t_Event		An alias for a boolean (transient)
t_Switch		An alias for a boolean (persistent)

### 3.3. muXAV\_v3::OrganicFunctionsArchitecture Package

#### 3.3.1. Air\_Vehicle Block

**Table 8: Air\_Vehicle DataSourceTarget: OF\_Air\_Vehicle\_Data**

	Block Source	Block Target	Type	Min	Max
p	Air_Vehicle	OF_EL, OF_FC_FlightC ontrol	t_Angle	0.0	100.0
pdot	Air_Vehicle	OF_EL, OF_FC_FlightC ontrol	t_AngularVelo city	22.0	37.0
q	Air_Vehicle	OF_EL, OF_FC_FlightC ontrol	t_Angle		
PropulsionTor que	OF_FC_FlightC ontrol	Air_Vehicle	t_Torque		
BrakingTorque 1	OF_FC_FlightC ontrol	Air_Vehicle	t_Torque		

#### 3.3.2. Ground\_Station Block

**Table 9: Ground\_Station DataSourceTarget: OF\_Ground\_Station\_Data**

GS_NavContr olMode	Ground_Stati on	OF_MM_Missi onManagem ent	te_NavContro lMode		
GS_NavParam eters	Ground_Statio n	OF_MM_Missio nManagement	ts_NavParame ters		
GS_NavRegul Option	Ground_Statio n	OF_MM_Missio nManagement	te_NavRegulO ption		
GS_GO	Ground_Statio n	OF_MM_Missio nManagement	t_Event		
GS_Emergenc yLandingCmd	Ground_Statio n	OF_MM_Missio nManagement	t_Event		
MissionREADY	OF_MM_Missio nManagement	Ground_Statio n	t_Event		
MissionCOMPL ETED	OF_MM_Missio nManagement	Ground_Statio n	t_Event		
MissionCANCE LLED	OF_MM_Missio nManagement	Ground_Statio n	t_Event		
MissionABORT ED	OF_MM_Missio nManagement	Ground_Statio n	t_Event		

#### 3.3.3. OF\_CM\_Comm\_MMS Block

**Table 10: OF\_CM\_Comm\_MMS Ports-with-Data: I/O Table\_F\_CM\_Comm\_MMS\_1**

	Direction	Related Data	Block Source	Block Target	Comment
Ports					

	Direction	Related Data	Block Source	Block Target	Comment
GS_Inputs	in	GS_NavControlMode, GS_NavParameters, GS_NavRegulationOption, GS_GO, GS_EmergencyLandingCmd			
Related Data					
GS_NavControlMode			Ground_Station	OF_MM_MissionManagement	
GS_NavParameters			Ground_Station	OF_MM_MissionManagement	
GS_NavRegulationOption			Ground_Station	OF_MM_MissionManagement	
GS_GO			Ground_Station	OF_MM_MissionManagement	
GS_EmergencyLandingCmd			Ground_Station	OF_MM_MissionManagement	
CP_Inputs	in	CP_ON_OFF_PushButton, CP_Bay_Switch, CP_Rotactor1, CP_Rotactor2, CP_NavControlMode, CP_USB_Key, CP_START_PushButton, CP_USB_NavRegulationOption???			
Related Data					
CP_ON_OFF_PushButton			Control_Panel	OF_MM_MissionManagement	
CP_Bay_Switch			Control_Panel	OF_MM_MissionManagement	
CP_Rotactor1			Control_Panel	OF_MM_MissionManagement	
CP_Rotactor2			Control_Panel	OF_MM_MissionManagement	
CP_NavControlMode			Control_Panel	OF_MM_MissionManagement	
CP_USB_Key			Control_Panel	OF_MM_MissionManagement	
CP_START_PushButton			Control_Panel	OF_MM_MissionManagement	

	Direction	Related Data	Block Source	Block Target	Comment
CP_USB_NavRegulOption???			Control_Panel	OF_MM_MissionManagement	
AV_PhysicalSensors	in	p, pdot, q			
Related Data					
p			Air_Vehicle	OF_FC_FlightControl	
pdot			Air_Vehicle	OF_FC_FlightControl	
q			Air_Vehicle	OF_FC_FlightControl	
PropulsionTrq	in	PropulsionTorque			
Related Data					
PropulsionTorque			OF_FC_FlightControl	OF_CM_CommMMS	
BrakingTrq	in	BrakingTorque			
Related Data					
BrakingTorque			OF_FC_FlightControl	OF_CM_CommMMS	
MissionStatus	in	MissionREADY, MissionCOMPLETED, MissionCANCELED, MissionABORTED			
Related Data					
MissionREADY			OF_MM_MissionManagement	Ground_Station, Control_Panel	
MissionCOMPLETED			OF_MM_MissionManagement	Ground_Station, Control_Panel	
MissionCANCELED			OF_MM_MissionManagement	Ground_Station, Control_Panel	
MissionABORTED			OF_MM_MissionManagement	Ground_Station, Control_Panel	
CP_Switches_t o_GS	out				

	Direction	Related Data	Block Source	Block Target	Comment
CP_Displays_t o_GS	out	MissionREADY, MissionCOMPL ETED, MissionCANCE LLED, MissionABORT ED			
Related Data					
MissionREADY			OF_MM_Missio nManagement	Ground_Statio n, Control_Panel	
MissionCOMPL ETED			OF_MM_Missio nManagement	Ground_Statio n, Control_Panel	
MissionCANCE LLED			OF_MM_Missio nManagement	Ground_Statio n, Control_Panel	
MissionABORT ED			OF_MM_Missio nManagement	Ground_Statio n, Control_Panel	
CP_Displays	out	MissionREADY, MissionCOMPL ETED, MissionCANCE LLED, MissionABORT ED			
Related Data					
MissionREADY			OF_MM_Missio nManagement	Ground_Statio n, Control_Panel	
MissionCOMPL ETED			OF_MM_Missio nManagement	Ground_Statio n, Control_Panel	
MissionCANCE LLED			OF_MM_Missio nManagement	Ground_Statio n, Control_Panel	
MissionABORT ED			OF_MM_Missio nManagement	Ground_Statio n, Control_Panel	
PropulsionEne rgy???	out				
GS_Setup	out	GS_NavContro lMode, GS_NavParam eters, GS_NavRegul Option, GS_GO, GS_Emergenc yLandingCmd			
Related Data					

	Direction	Related Data	Block Source	Block Target	Comment
GS_NavControlMode			Ground_Station	OF_MM_MissionManagement	
GS_NavParameters			Ground_Station	OF_MM_MissionManagement	
GS_NavRegulOption			Ground_Station	OF_MM_MissionManagement	
GS_GO			Ground_Station	OF_MM_MissionManagement	
GS_EmergencyLandingCmd			Ground_Station	OF_MM_MissionManagement	
CP_Setup	out	CP_ON_OFF_PushButton, CP_Bay_Switch, CP_Rotactor1, CP_Rotactor2, CP_NavControlMode, CP_USB_Key, CP_START_PushButton, CP_USB_NavRegulOption???			
Related Data					
CP_ON_OFF_PushButton			Control_Panel	OF_MM_MissionManagement	
CP_Bay_Switch			Control_Panel	OF_MM_MissionManagement	
CP_Rotactor1			Control_Panel	OF_MM_MissionManagement	
CP_Rotactor2			Control_Panel	OF_MM_MissionManagement	
CP_NavControlMode			Control_Panel	OF_MM_MissionManagement	
CP_USB_Key			Control_Panel	OF_MM_MissionManagement	
CP_START_PushButton			Control_Panel	OF_MM_MissionManagement	
CP_USB_NavRegulOption???			Control_Panel	OF_MM_MissionManagement	
AV_PhysicalParameters	out	p, pdot, q			
Related Data					
p			Air_Vehicle	OF_FC_FlightControl	

	Direction	Related Data	Block Source	Block Target	Comment
pdot			Air_Vehicle	OF_FC_FlightControl	
q			Air_Vehicle	OF_FC_FlightControl	

### 3.3.4. OF\_EL Block

**Table 11: OF\_EL DataSourceTarget: DataSourceTarget\_F\_EL\_1**

	Block Source	Block Target	Type	Min	Max
EL_BrakingTorque???	OF_EL	OF_EL			
EmergencyLanding1	OF_MM_MissionManagement	OF_EL	t_Event		
p	Air_Vehicle	OF_EL	t_Angle	0.0	100.0
pdot	Air_Vehicle	OF_EL	t_AngularVelocity	22.0	37.0
q	Air_Vehicle	OF_EL	t_Angle		

**Table 12: OF\_EL Ports-with-Data: I/O Table\_F\_EL\_1**

	Direction	Related Data	Block Source	Block Target	Comment
Ports					
EmergencyLanding	in	EmergencyLanding1			
Related Data					
EmergencyLanding1			OF_MM_MissionManagement	OF_EL	
AV_PhysicalSensors	in	p, pdot, q			
Related Data					
p			Air_Vehicle	OF_EL	
pdot			Air_Vehicle	OF_EL	
q			Air_Vehicle	OF_EL	
MissionAbort	out				
BrakingTorque	out	EL_BrakingTorque???			
Related Data					
EL_BrakingTorque???			OF_EL	OF_EL	

### 3.3.5. OF\_EM\_EnergyViability Block

**Table 13: OF\_EM\_EnergyViability DataSourceTarget: Data Table\_F\_EM\_EnergyViability\_1**

	Block Source	Block Target	Type	Min	Max
RemainingEnergy			t_Energy		
PrimaryInitialCapacity			t_Energy		
SecondaryInitialCapacity			t_Energy		
PropulsionTorque	OF_FC_FlightControl	OF_EM_EnergyViability	t_Torque		
BrakingTorque	OF_FC_FlightControl	OF_EM_EnergyViability	t_Torque		

**Table 14: OF\_EM\_EnergyViability Ports-with-Data: I/O Table\_F\_EM\_EnergyViability\_1**

	Direction	Related Data	Block Source	Block Target	Comment
Ports					
pdot	in				
PropulsionTrq	in	PropulsionTorque			
Related Data					
PropulsionTorque			OF_FC_FlightControl	OF_EM_EnergyViability	
BrakingTrq	in	BrakingTorque			
Related Data					
BrakingTorque			OF_FC_FlightControl	OF_EM_EnergyViability	
EnergyLeft	out				
Primary%Left	out				
Secondary%Left	out				

### 3.3.6. OF\_FC\_FlightControl Block

**Table 15: OF\_FC\_FlightControl DataSourceTarget: Data Table\_F\_FC\_FlightControl\_1**

	Block Source	Block Target	Type	Min	Max
PropulsionTorque	OF_FC_FlightControl	OF_EM_EnergyViability, Air_Vehicle, OF_CM_Comm_MMS	t_Torque		



	Block Source	Block Target	Type	Min	Max
BrakingTorque	OF_FC_FlightControl	OF_EM_EnergyViability, Air_Vehicle, OF_CM_Comm_MMS	t_Torque		
CurrentAltitude	OF_FC_FlightControl	OF_MM_MissionManagement	t_Length		
CurrentSpeed	OF_FC_FlightControl	OF_MM_MissionManagement	t_Velocity		
CurrentDistance	OF_FC_FlightControl	OF_MM_MissionManagement	t_Length		
OperatingAltitude	OF_MM_MissionManagement	OF_FC_FlightControl	t_Length		
OperatingSpeed	OF_MM_MissionManagement	OF_FC_FlightControl	t_Velocity		
OperatingOption	OF_MM_MissionManagement	OF_FC_FlightControl	te_NavRegulation		
OperatingDistance	OF_MM_MissionManagement	OF_FC_FlightControl	t_Length		
OperatingMass	OF_MM_MissionManagement	OF_FC_FlightControl	t_Mass		
StartTakeOff	OF_MM_MissionManagement	OF_FC_FlightControl	t_Event		
StartLanding	OF_MM_MissionManagement	OF_FC_FlightControl	t_Event		
p	Air_Vehicle	OF_FC_FlightControl	t_Angle	0.0	100.0
pdot	Air_Vehicle	OF_FC_FlightControl	t_AngularVelocity	22.0	37.0
q	Air_Vehicle	OF_FC_FlightControl	t_Angle		

**Table 16: OF\_FC\_FlightControl Ports-with-Data: I/O Table\_F\_FC\_FlightControl\_1**

	Direction	Related Data	Block Source	Block Target	Comment
Ports					
AV_PhysicalParams	in	p, pdot, q			
Related Data					
p			Air_Vehicle	OF_FC_FlightControl	
pdot			Air_Vehicle	OF_FC_FlightControl	
q			Air_Vehicle	OF_FC_FlightControl	

	Direction	Related Data	Block Source	Block Target	Comment
OperatingPoint	in	OperatingAltitude, OperatingSpeed, OperatingOption, OperatingDistance, OperatingMass			
Related Data					
OperatingAltitude			OF_MM_MissionManagement	OF_FC_FlightControl	
OperatingSpeed			OF_MM_MissionManagement	OF_FC_FlightControl	
OperatingOption			OF_MM_MissionManagement	OF_FC_FlightControl	
OperatingDistance			OF_MM_MissionManagement	OF_FC_FlightControl	
OperatingMass			OF_MM_MissionManagement	OF_FC_FlightControl	
MM_Cmds	in	StartTakeOff, StartLanding			
Related Data					
StartTakeOff			OF_MM_MissionManagement	OF_FC_FlightControl	
StartLanding			OF_MM_MissionManagement	OF_FC_FlightControl	
PropulsionTrq	out	PropulsionTorque			
Related Data					
PropulsionTorque			OF_FC_FlightControl	OF_EM_EnergyViability, Air_Vehicle, OF_CM_Comm_MMS	
BrakingTrq	out	BrakingTorque			
Related Data					
BrakingTorque			OF_FC_FlightControl	OF_EM_EnergyViability, Air_Vehicle, OF_CM_Comm_MMS	
CurrentPoint	out	CurrentAltitude, CurrentSpeed, CurrentDistance			
Related Data					

	Direction	Related Data	Block Source	Block Target	Comment
CurrentAltitude			OF_FC_FlightControl	OF_MM_MissionManagement	
CurrentSpeed			OF_FC_FlightControl	OF_MM_MissionManagement	
CurrentDistance			OF_FC_FlightControl	OF_MM_MissionManagement	

### 3.3.7. OF\_MM\_MissionManagement Block

**Table 17: OF\_MM\_MissionManagement DataSourceTarget: Data Table\_F\_MM\_MissionManagement\_1**

	Block Source	Block Target	Type	Min	Max
OperatingAltitude	OF_MM_MissionManagement	OF_FC_FlightControl	t_Length		
OperatingSpeed	OF_MM_MissionManagement	OF_FC_FlightControl	t_Velocity		
OperatingOption	OF_MM_MissionManagement	OF_FC_FlightControl	te_NavRegulation		
OperatingDistance	OF_MM_MissionManagement	OF_FC_FlightControl	t_Length		
OperatingMass	OF_MM_MissionManagement	OF_FC_FlightControl	t_Mass		
StartTakeOff	OF_MM_MissionManagement	OF_FC_FlightControl	t_Event		
StartLanding	OF_MM_MissionManagement	OF_FC_FlightControl	t_Event		
EmergencyLanding	OF_MM_MissionManagement	OF_EL	t_Event		
MissionREADY	OF_MM_MissionManagement	Ground_Station, Control_Panel	t_Event		
MissionCOMPLETED	OF_MM_MissionManagement	Ground_Station, Control_Panel	t_Event		
MissionCANCELED	OF_MM_MissionManagement	Ground_Station, Control_Panel	t_Event		
MissionABORTED	OF_MM_MissionManagement	Ground_Station, Control_Panel	t_Event		
CurrentAltitude	OF_FC_FlightControl	OF_MM_MissionManagement	t_Length		
CurrentSpeed	OF_FC_FlightControl	OF_MM_MissionManagement	t_Velocity		
CurrentDistance	OF_FC_FlightControl	OF_MM_MissionManagement	t_Length		
GS_NavControlMode	Ground_Station	OF_MM_MissionManagement	te_NavControlMode		
GS_NavParameters	Ground_Station	OF_MM_MissionManagement	ts_NavParameters		
GS_NavRegulation	Ground_Station	OF_MM_MissionManagement	te_NavRegulation		

	Block Source	Block Target	Type	Min	Max
GS_GO	Ground_Station	OF_MM_MissionManagement	t_Event		
GS_EmergencyLandingCmd	Ground_Station	OF_MM_MissionManagement	t_Event		
CP_ON_OFF_PushButton	Control_Panel	OF_MM_MissionManagement	t_Event		
CP_Bay_Switch	Control_Panel	OF_MM_MissionManagement	te_BaySwitch		
CP_Rotactor1	Control_Panel	OF_MM_MissionManagement	int		
CP_Rotactor2	Control_Panel	OF_MM_MissionManagement	int		
CP_NavControlMode	Control_Panel	OF_MM_MissionManagement	te_NavControlMode		
CP_USB_Key	Control_Panel	OF_MM_MissionManagement	ts_NavParameters		
CP_START_PushButton	Control_Panel	OF_MM_MissionManagement	t_Event		
CP_USB_NavRegulOption???	Control_Panel	OF_MM_MissionManagement	te_NavRegulOption		

**Table 18: OF\_MM\_MissionManagement Ports-with-Data: I/O Table\_F\_MM\_MissionManagement\_1**

	Direction	Related Data	Block Source	Block Target	Comment
Ports					
EnergyLevel	in				
PrimarySource	in				
SecondarySource	in				
GS_Setup	in	GS_NavControlMode, GS_NavParameters, GS_NavRegulOption, GS_GO, GS_EmergencyLandingCmd			
Related Data					
GS_NavControlMode			Ground_Station	OF_MM_MissionManagement	
GS_NavParameters			Ground_Station	OF_MM_MissionManagement	
GS_NavRegulOption			Ground_Station	OF_MM_MissionManagement	
GS_GO			Ground_Station	OF_MM_MissionManagement	

	Direction	Related Data	Block Source	Block Target	Comment
GS_EmergencyLandingCmd			Ground_Station	OF_MM_MissionManagement	
CP_Setup	in	CP_ON_OFF_PushButton, CP_Bay_Switch, CP_Rotactor1, CP_Rotactor2, CP_NavControlMode, CP_USB_Key, CP_START_PushButton, CP_USB_NavRegulOption???			
Related Data					
CP_ON_OFF_PushButton			Control_Panel	OF_MM_MissionManagement	
CP_Bay_Switch			Control_Panel	OF_MM_MissionManagement	
CP_Rotactor1			Control_Panel	OF_MM_MissionManagement	
CP_Rotactor2			Control_Panel	OF_MM_MissionManagement	
CP_NavControlMode			Control_Panel	OF_MM_MissionManagement	
CP_USB_Key			Control_Panel	OF_MM_MissionManagement	
CP_START_PushButton			Control_Panel	OF_MM_MissionManagement	
CP_USB_NavRegulOption???			Control_Panel	OF_MM_MissionManagement	
CurrentPoint	in	CurrentAltitude, CurrentSpeed, CurrentDistance			
Related Data					
CurrentAltitude			OF_FC_FlightControl	OF_MM_MissionManagement	
CurrentSpeed			OF_FC_FlightControl	OF_MM_MissionManagement	
CurrentDistance			OF_FC_FlightControl	OF_MM_MissionManagement	
pdot	out				

	Direction	Related Data	Block Source	Block Target	Comment
MissionStatus	out	MissionREADY, MissionCOMPLETED, MissionCANCELED, MissionABORTED			
Related Data					
MissionREADY			OF_MM_MissionManagement	Ground_Station, Control_Panel	
MissionCOMPLETED			OF_MM_MissionManagement	Ground_Station, Control_Panel	
MissionCANCELED			OF_MM_MissionManagement	Ground_Station, Control_Panel	
MissionABORTED			OF_MM_MissionManagement	Ground_Station, Control_Panel	
to_F_EL	out	EmergencyLanding			
Related Data					
EmergencyLanding			OF_MM_MissionManagement	OF_EL	
OperatingPoint	out	OperatingAltitude, OperatingSpeed, OperatingOption, OperatingDistance, OperatingMass			
Related Data					
OperatingAltitude			OF_MM_MissionManagement	OF_FC_FlightControl	
OperatingSpeed			OF_MM_MissionManagement	OF_FC_FlightControl	
OperatingOption			OF_MM_MissionManagement	OF_FC_FlightControl	
OperatingDistance			OF_MM_MissionManagement	OF_FC_FlightControl	
OperatingMass			OF_MM_MissionManagement	OF_FC_FlightControl	
FC_Cmds	out	StartTakeOff, StartLanding			
Related Data					

	Direction	Related Data	Block Source	Block Target	Comment
StartTakeOff			OF_MM_MissionManagement	OF_FC_FlightControl	
StartLanding			OF_MM_MissionManagement	OF_FC_FlightControl	

### 3.3.8. OF\_MMS\_SW Block

Table 19: OF\_MMS\_SW DataSourceTarget: OF\_MissionManagementSystem\_Data

	Block Source	Block Target	Type	Min	Max
EL_BrakingTorque???	OF_EL				
EmergencyLanding1	OF_MM_MissionManagement	OF_EL	t_Event		
PropulsionTorque	OF_FC_FlightControl	Air_Vehicle	t_Torque		
BrakingTorque	OF_FC_FlightControl	Air_Vehicle	t_Torque		
MissionREADY	OF_MM_MissionManagement, OF_MM_MissionManagement	Ground_Station, Control_Panel	t_Event		
MissionCOMPLETED	OF_MM_MissionManagement, OF_MM_MissionManagement	Ground_Station, Control_Panel	t_Event		
MissionCANCELLED	OF_MM_MissionManagement, OF_MM_MissionManagement	Ground_Station, Control_Panel	t_Event		
MissionABORTED	OF_MM_MissionManagement, OF_MM_MissionManagement	Ground_Station, Control_Panel	t_Event		
p	Air_Vehicle	OF_FC_FlightControl, OF_EL	t_Angle	0.0	100.0
pdot	Air_Vehicle	OF_FC_FlightControl, OF_EL	t_AngularVelocity	22.0	37.0
q	Air_Vehicle	OF_FC_FlightControl, OF_EL	t_Angle		
GS_NavControlMode	Ground_Station	OF_MM_MissionManagement	te_NavControlMode		
GS_NavParameters	Ground_Station	OF_MM_MissionManagement	ts_NavParameters		
GS_NavRegulationOption	Ground_Station	OF_MM_MissionManagement	te_NavRegulationOption		
GS_GO	Ground_Station	OF_MM_MissionManagement	t_Event		
GS_EmergencyLandingCmd	Ground_Station	OF_MM_MissionManagement	t_Event		

	Block Source	Block Target	Type	Min	Max
CP_ON_OFF_PushButton	Control_Panel	OF_MM_MissionManagement	t_Event		
CP_Bay_Switch	Control_Panel	OF_MM_MissionManagement	te_BaySwitch		
CP_Rotactor1	Control_Panel	OF_MM_MissionManagement	int		
CP_Rotactor2	Control_Panel	OF_MM_MissionManagement	int		
CP_NavControlMode	Control_Panel	OF_MM_MissionManagement	te_NavControlMode		
CP_USB_Key	Control_Panel	OF_MM_MissionManagement	ts_NavParameters		
CP_START_PushButton	Control_Panel	OF_MM_MissionManagement	t_Event		
CP_USB_NavRegulOption???	Control_Panel	OF_MM_MissionManagement	te_NavRegulOption		

**Table 20: OF\_MMS\_SW Ports-with-Data: OF\_MissionManagementSystem\_Interface**

	Direction	Related Data	Block Source	Block Target	Comment
Ports					
GS_Inputs	in	GS_NavControlMode, GS_NavParameters, GS_NavRegulOption, GS_GO, GS_EmergencyLandingCmd			
Related Data					
GS_NavControlMode			Ground_Station	OF_MM_MissionManagement	
GS_NavParameters			Ground_Station	OF_MM_MissionManagement	
GS_NavRegulOption			Ground_Station	OF_MM_MissionManagement	
GS_GO			Ground_Station	OF_MM_MissionManagement	
GS_EmergencyLandingCmd			Ground_Station	OF_MM_MissionManagement	



	Direction	Related Data	Block Source	Block Target	Comment
CP_Inputs	in	CP_ON_OFF_PushButton, CP_Bay_Switch, CP_Rotactor1, CP_Rotactor2, CP_NavControlMode, CP_USB_Key, CP_START_PushButton, CP_USB_NavRegulOption???			
Related Data					
CP_ON_OFF_PushButton			Control_Panel	OF_MM_MissionManagement	
CP_Bay_Switch			Control_Panel	OF_MM_MissionManagement	
CP_Rotactor1			Control_Panel	OF_MM_MissionManagement	
CP_Rotactor2			Control_Panel	OF_MM_MissionManagement	
CP_NavControlMode			Control_Panel	OF_MM_MissionManagement	
CP_USB_Key			Control_Panel	OF_MM_MissionManagement	
CP_START_PushButton			Control_Panel	OF_MM_MissionManagement	
CP_USB_NavRegulOption???			Control_Panel	OF_MM_MissionManagement	
AV_PhysicalSensors	in	p, pdot, q			
Related Data					
p			Air_Vehicle	OF_FC_FlightControl, OF_EL	
pdot			Air_Vehicle	OF_FC_FlightControl, OF_EL	
q			Air_Vehicle	OF_FC_FlightControl, OF_EL	
PropulsionTrq	out	PropulsionTorque			
Related Data					
PropulsionTorque			OF_FC_FlightControl	Air_Vehicle	
BrakingTrq	out	BrakingTorque			

	Direction	Related Data	Block Source	Block Target	Comment
Related Data					
BrakingTorque			OF_FC_FlightControl	Air_Vehicle	
CP_Switches_to_GS	out				
CP_Displays_to_GS	out	MissionREADY, MissionCOMPLETED, MissionCANCELED, MissionABORTED			
Related Data					
MissionREADY			OF_MM_MissionManagement, OF_MM_MissionManagement	Ground_Station, Control_Panel	
MissionCOMPLETED			OF_MM_MissionManagement, OF_MM_MissionManagement	Ground_Station, Control_Panel	
MissionCANCELED			OF_MM_MissionManagement, OF_MM_MissionManagement	Ground_Station, Control_Panel	
MissionABORTED			OF_MM_MissionManagement, OF_MM_MissionManagement	Ground_Station, Control_Panel	
CP_Displays	out	MissionREADY, MissionCOMPLETED, MissionCANCELED, MissionABORTED			
Related Data					
MissionREADY			OF_MM_MissionManagement, OF_MM_MissionManagement	Ground_Station, Control_Panel	
MissionCOMPLETED			OF_MM_MissionManagement, OF_MM_MissionManagement	Ground_Station, Control_Panel	

	Direction	Related Data	Block Source	Block Target	Comment
MissionCANCELED			OF_MM_MissionManagement , OF_MM_MissionManagement	Ground_Station, Control_Panel	
MissionABORTED			OF_MM_MissionManagement , OF_MM_MissionManagement	Ground_Station, Control_Panel	
PropulsionEnergy???	out				

### 3.3.8.1. Diagrams

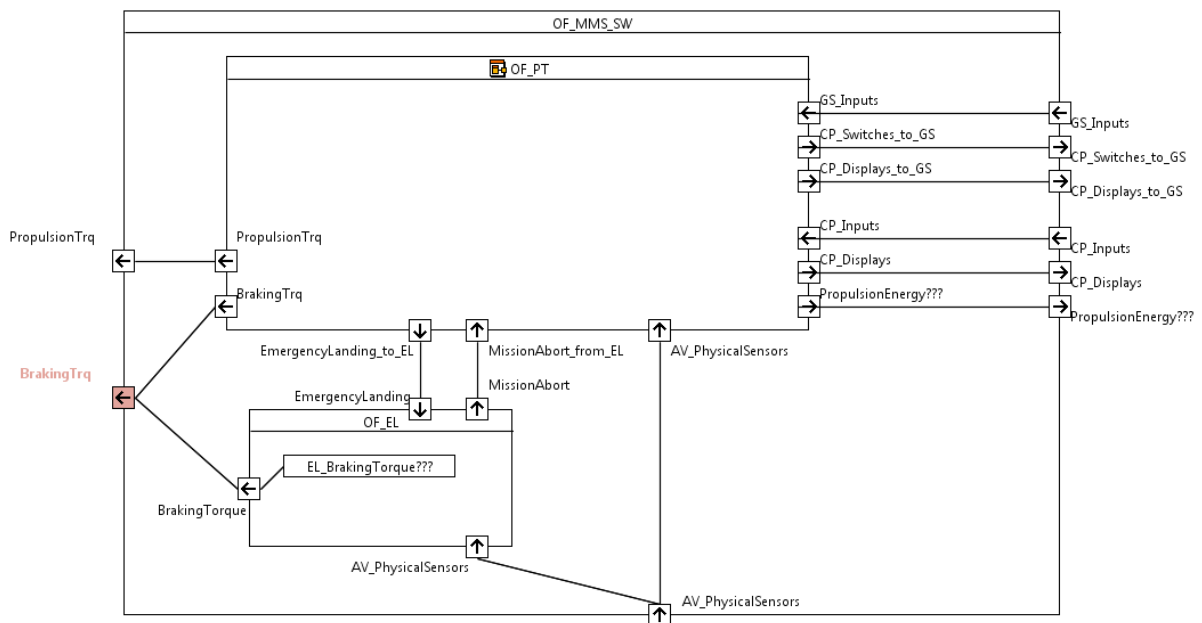


Figure 1: Internal Block Diagram - OF\_MissionManagementSystem\_Diagram

### 3.3.9. OF\_muXAV Block

#### 3.3.9.1. Diagrams

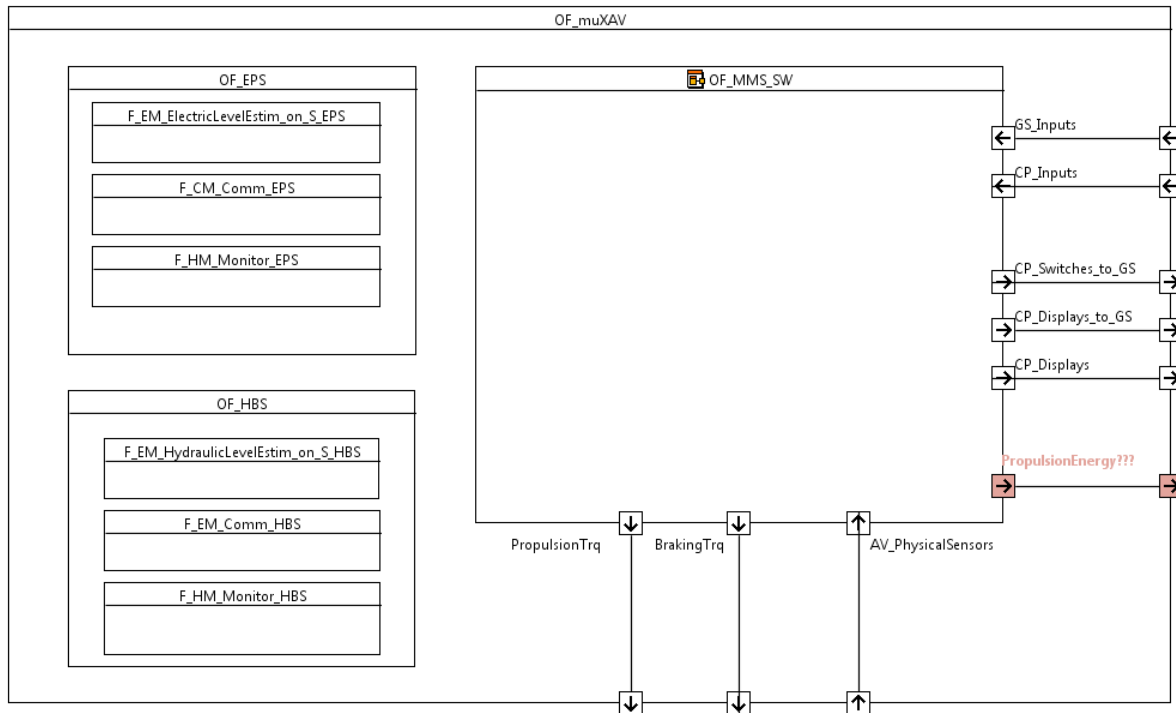


Figure 2: Internal Block Diagram - OF\_muXAV\_Diagram

### 3.3.10. OF\_PT Block

Table 21: OF\_PT DataSourceTarget: OF\_PayloadTransport\_Data

	Block Source	Block Target	Type	Min	Max
EmergencyLanding1	OF_MM_MissionManagement	OF_EL	t_Event		
OperatingAltitude	OF_MM_MissionManagement	OF_FC_FlightControl	t_Length		
OperatingSpeed	OF_MM_MissionManagement	OF_FC_FlightControl	t_Velocity		
OperatingOption	OF_MM_MissionManagement	OF_FC_FlightControl	te_NavRegulation		
OperatingDistance	OF_MM_MissionManagement	OF_FC_FlightControl	t_Length		
OperatingMass	OF_MM_MissionManagement	OF_FC_FlightControl	t_Mass		
StartTakeOff	OF_MM_MissionManagement	OF_FC_FlightControl	t_Event		
StartLanding	OF_MM_MissionManagement	OF_FC_FlightControl	t_Event		
CurrentAltitude	OF_FC_FlightControl	OF_MM_MissionManagement	t_Length		
CurrentSpeed	OF_FC_FlightControl	OF_MM_MissionManagement	t_Velocity		
CurrentDistance	OF_FC_FlightControl	OF_MM_MissionManagement	t_Length		

	Block Source	Block Target	Type	Min	Max
PropulsionTorque	OF_FC_FlightControl	Air_Vehicle, OF_EM_EnergyViability, OF_CM_Comm_MMS	t_Torque		
BrakingTorque	OF_FC_FlightControl	Air_Vehicle, OF_EM_EnergyViability, OF_CM_Comm_MMS	t_Torque		
MissionREADY	OF_MM_MissionManagement	Ground_Station, Control_Panel	t_Event		
MissionCOMPLETED	OF_MM_MissionManagement	Ground_Station, Control_Panel	t_Event		
MissionCANCELED	OF_MM_MissionManagement	Ground_Station, Control_Panel	t_Event		
MissionABORTED	OF_MM_MissionManagement	Ground_Station, Control_Panel	t_Event		
p	Air_Vehicle	OF_FC_FlightControl	t_Angle	0.0	100.0
pdot	Air_Vehicle	OF_FC_FlightControl	t_AngularVelocity	22.0	37.0
q	Air_Vehicle	OF_FC_FlightControl	t_Angle		
GS_NavControlMode	Ground_Station	OF_MM_MissionManagement	te_NavControlMode		
GS_NavParameters	Ground_Station	OF_MM_MissionManagement	ts_NavParameters		
GS_NavReguloOption	Ground_Station	OF_MM_MissionManagement	te_NavReguloOption		
GS_GO	Ground_Station	OF_MM_MissionManagement	t_Event		
GS_EmergencyLandingCmd	Ground_Station	OF_MM_MissionManagement	t_Event		
CP_ON_OFF_PushButton	Control_Panel	OF_MM_MissionManagement	t_Event		
CP_Bay_Switch	Control_Panel	OF_MM_MissionManagement	te_BaySwitch		
CP_Rotactor1	Control_Panel	OF_MM_MissionManagement	int		
CP_Rotactor2	Control_Panel	OF_MM_MissionManagement	int		
CP_NavControlMode	Control_Panel	OF_MM_MissionManagement	te_NavControlMode		
CP_USB_Key	Control_Panel	OF_MM_MissionManagement	ts_NavParameters		
CP_START_PushButton	Control_Panel	OF_MM_MissionManagement	t_Event		
CP_USB_NavReguloOption???	Control_Panel	OF_MM_MissionManagement	te_NavReguloOption		

Table 22: OF\_PT Ports-with-Data: OF\_PayloadTransport\_Interface

	Direction	Related Data	Block Source	Block Target	Comment
Ports					
GS_Inputs	in	GS_NavControlMode, GS_NavParameters, GS_NavRegulOption, GS_GO, GS_EmergencyLandingCmd			
Related Data					
GS_NavControlMode			Ground_Station	OF_MM_MissionManagement	
GS_NavParameters			Ground_Station	OF_MM_MissionManagement	
GS_NavRegulOption			Ground_Station	OF_MM_MissionManagement	
GS_GO			Ground_Station	OF_MM_MissionManagement	
GS_EmergencyLandingCmd			Ground_Station	OF_MM_MissionManagement	
CP_Inputs	in	CP_ON_OFF_PushButton, CP_Bay_Switch, CP_Rotactor1, CP_Rotactor2, CP_NavControlMode, CP_USB_Key, CP_START_PushButton, CP_USB_NavRegulOption???			
Related Data					
CP_ON_OFF_PushButton			Control_Panel	OF_MM_MissionManagement	
CP_Bay_Switch			Control_Panel	OF_MM_MissionManagement	
CP_Rotactor1			Control_Panel	OF_MM_MissionManagement	
CP_Rotactor2			Control_Panel	OF_MM_MissionManagement	
CP_NavControlMode			Control_Panel	OF_MM_MissionManagement	
CP_USB_Key			Control_Panel	OF_MM_MissionManagement	

	Direction	Related Data	Block Source	Block Target	Comment
CP_START_PushButton			Control_Panel	OF_MM_MissionManagement	
CP_USB_NavRegulOption???			Control_Panel	OF_MM_MissionManagement	
AV_PhysicalSensors	in	p, pdot, q			
Related Data					
p			Air_Vehicle	OF_FC_FlightControl	
pdot			Air_Vehicle	OF_FC_FlightControl	
q			Air_Vehicle	OF_FC_FlightControl	
MissionAbort_from_EL	in				
CP_Switches_to_GS	out				
CP_Displays_to_GS	out	MissionREADY, MissionCOMPLETED, MissionCANCELED, MissionABORTED			
Related Data					
MissionREADY			OF_MM_MissionManagement	Ground_Station, Control_Panel	
MissionCOMPLETED			OF_MM_MissionManagement	Ground_Station, Control_Panel	
MissionCANCELED			OF_MM_MissionManagement	Ground_Station, Control_Panel	
MissionABORTED			OF_MM_MissionManagement	Ground_Station, Control_Panel	
CP_Displays	out	MissionREADY, MissionCOMPLETED, MissionCANCELED, MissionABORTED			
Related Data					
MissionREADY			OF_MM_MissionManagement	Ground_Station, Control_Panel	

	Direction	Related Data	Block Source	Block Target	Comment
MissionCOMPLETED			OF_MM_MissionManagement	Ground_Station, Control_Panel	
MissionCANCELED			OF_MM_MissionManagement	Ground_Station, Control_Panel	
MissionABORTED			OF_MM_MissionManagement	Ground_Station, Control_Panel	
PropulsionEnergy???	out				
PropulsionTrq	out	PropulsionTorque			
Related Data					
PropulsionTorque			OF_FC_FlightControl	Air_Vehicle, OF_EM_EnergyViability, OF_CM_Comm_MMS	
BrakingTrq	out	BrakingTorque			
Related Data					
BrakingTorque			OF_FC_FlightControl	Air_Vehicle, OF_EM_EnergyViability, OF_CM_Comm_MMS	
EmergencyLanding_to_EL	out	EmergencyLanding1			
Related Data					
EmergencyLanding1			OF_MM_MissionManagement	OF_EL	



### 3.3.10.1. Diagrams

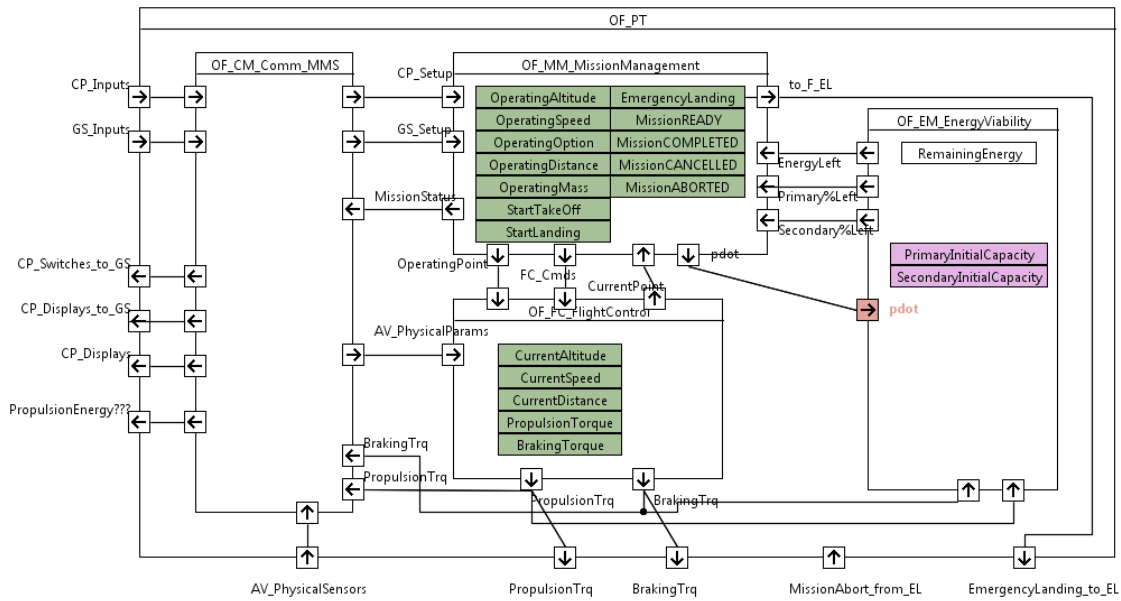


Figure 3: Internal Block Diagram - OF\_PayloadTransport\_Diagram

### 3.3.11. OrganicFunctions Block

#### 3.3.11.1. Diagrams

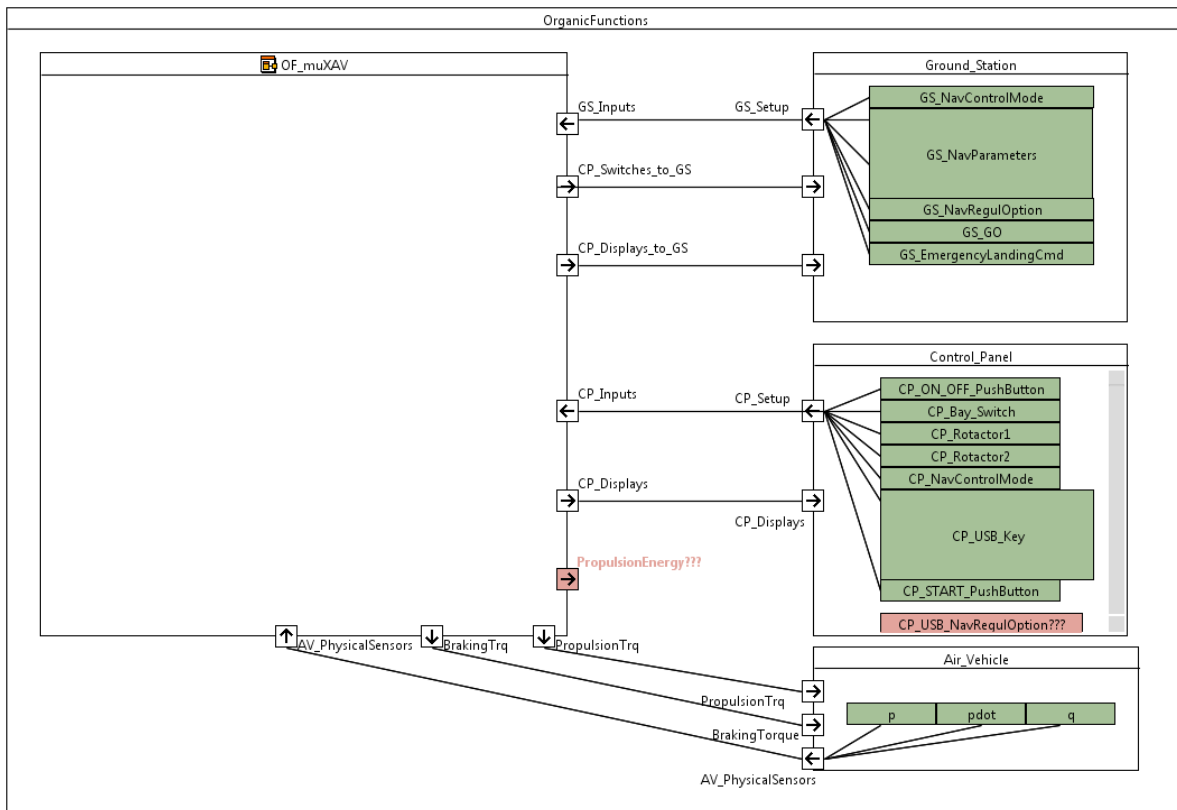


Figure 4: Internal Block Diagram - OrganicFunctions\_Diagram

### 3.4. muXAV\_v3::PhysicalSystemsArchitecture Package

#### 3.4.1. PhysicalSystems Block

##### 3.4.1.1. Diagrams

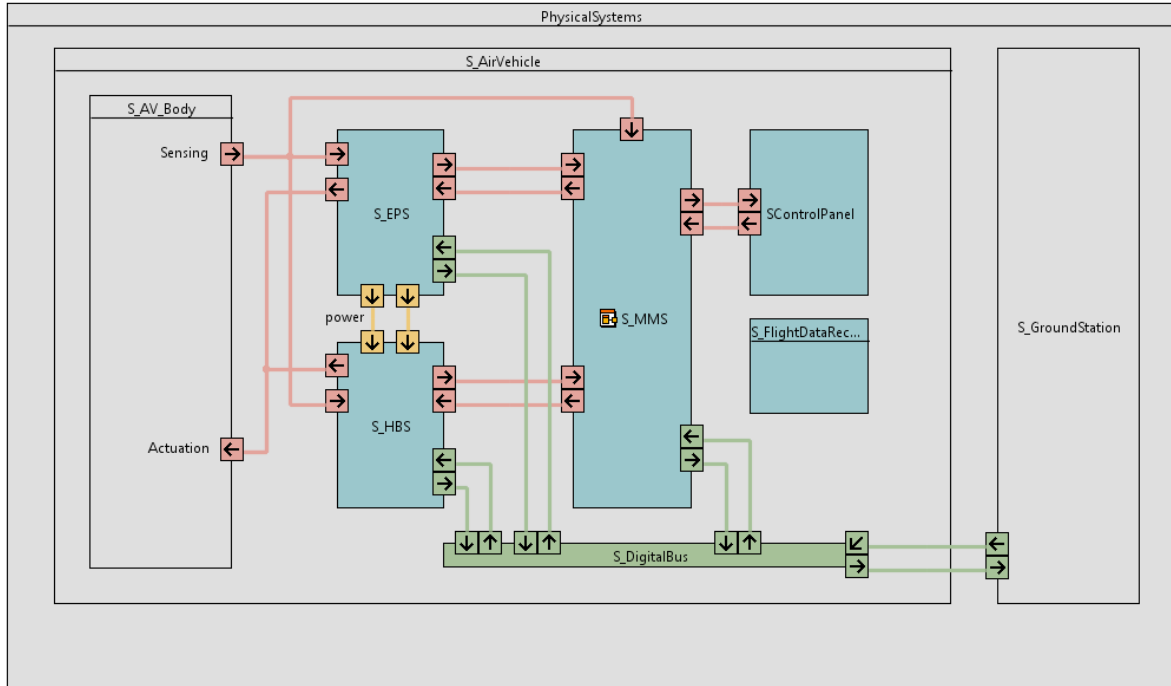


Figure 5: Internal Block Diagram - Communication\_System

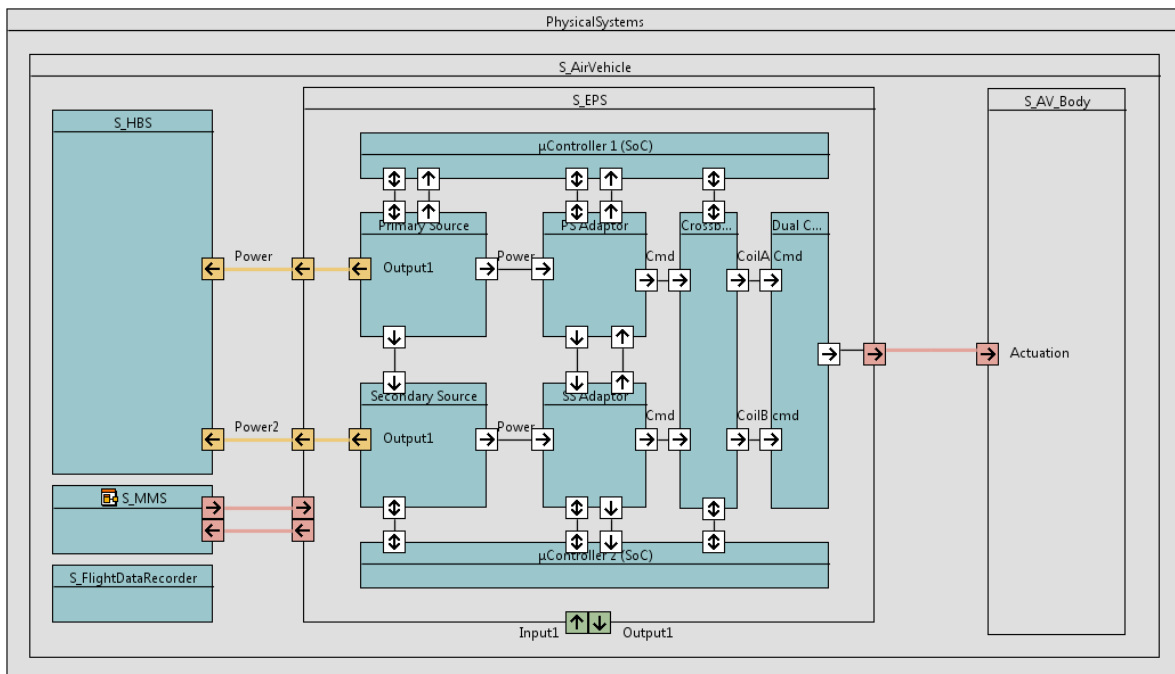


Figure 6: Internal Block Diagram - Electrical\_Propulsion\_System

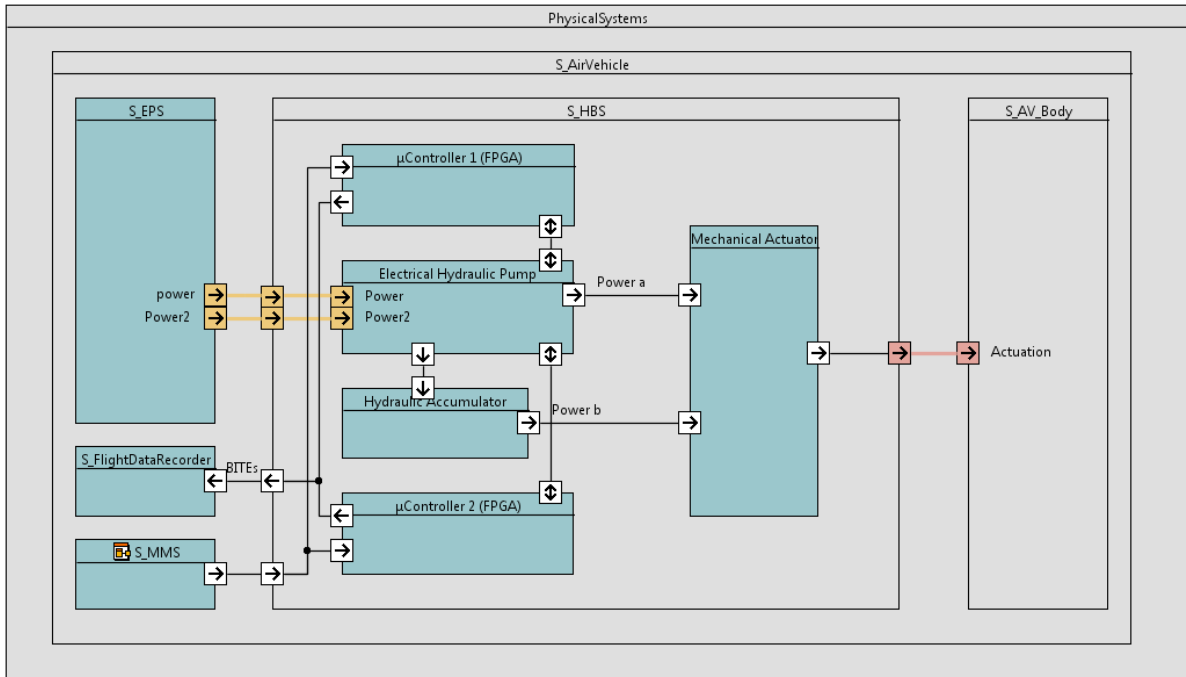


Figure 7: Internal Block Diagram - Hydraulic\_Braking\_System

### 3.4.2. S\_MMS Block

#### 3.4.2.1. Diagrams

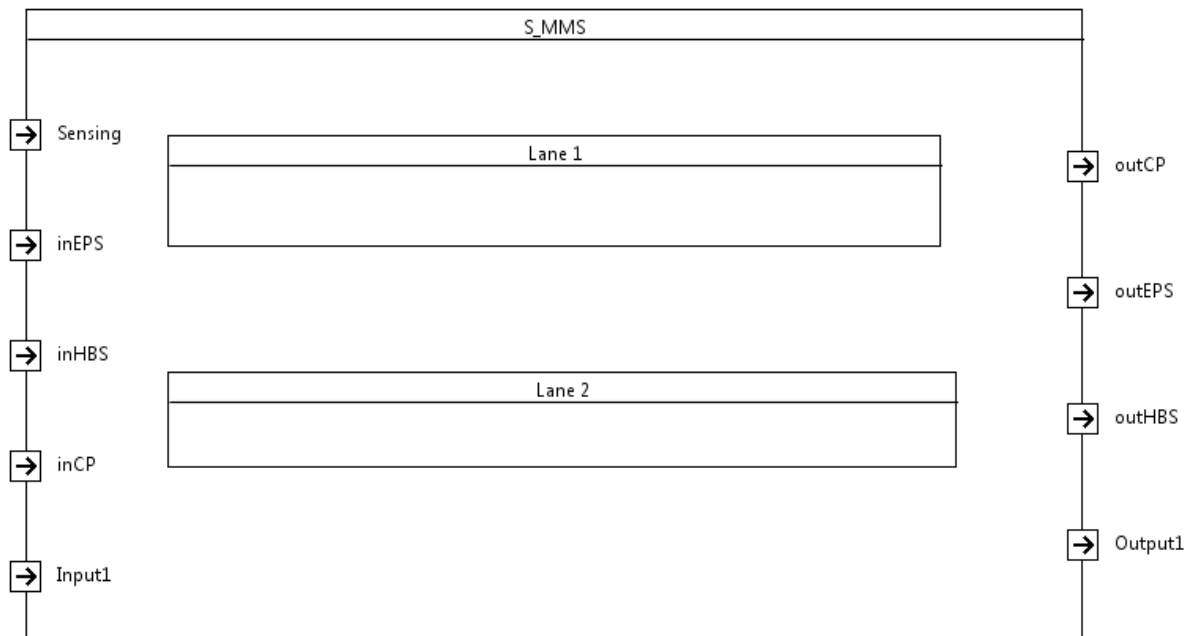


Figure 8: Internal Block Diagram - MMS\_System\_Diagram

End of document.